

Back

- o Flat Cable Connectors SEK
- o *har-mik®*
- o D-Sub
- o InduCom

➔ Applications



Product details

09 16 024 3101

Female insert, Han 24 DD

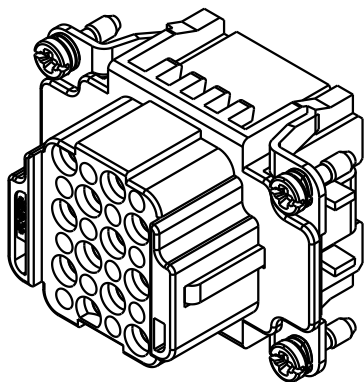
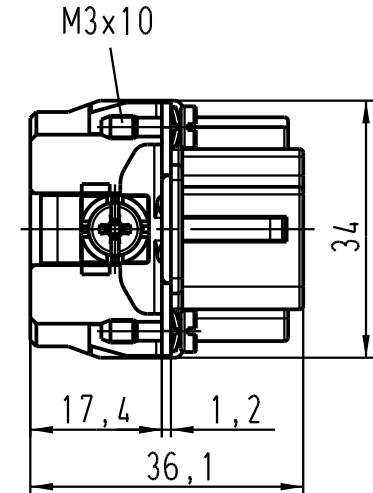
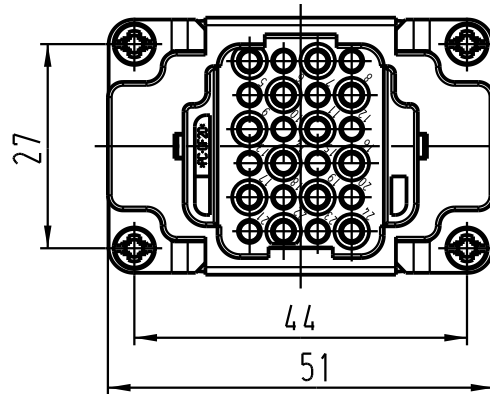
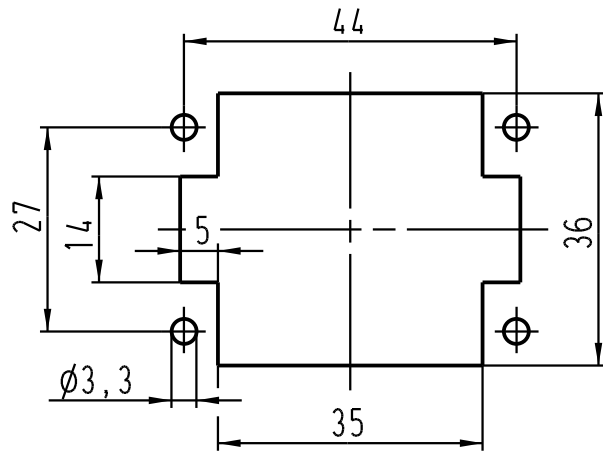
Series	Han DD®
Number of contacts	24 poles + PE
Size of hood/ housing	Han® 6 B
Termination	Crimp termination
Insert material	Standard material
Contacts	Order separately
Electrical data	10 A 250 V 4 kV 3
RoHS compliant	Yes

Available Downloads

Title	Format	
Data sheet	PDF	↓ download
CAD data 2D	DXF	↓ download
CAD data 3D	IGES	↓ download

Inquiry

Montageausschnitt /
panel cut out



All Dimensions in mm Original Size DIN A 4		Techn. Character.			Nicht tolerierte Masse / Free size tolerances		
			Dat.	Name	Massstab / Scale 1 : 1	Han 24DD-F-c Buchseneinsatz / female insert	
			Detail.	13.10.03			Ho
			Insp.				KR
			Stand.				
410513			HARTING Electric GmbH & Co. KG			TB 09 16 024 3101	
Mod.	Dat.	Name	D-32339 Espelkamp				Blatt / page
						Sub. TB 09 16 024 3101 v. 22.03.99	